

Technical data sheet

CARLA Family



CARLA mini



CARLA



eCARLA



eCARLA OR



CARLA maxi



eCARLA maxi

Technical data sheet

TABLE OF CONTENT


1. Model overview
 1. Dimensions and weight of the models
 2. Dimensions of the loading area
 3. Dimensions and weight of the load
 4. Light and reflectors
 5. Material and attachments
 6. Product photos
2. Electric version
 1. General parameters
 2. AES 720 Wh (48V)
3. Technical drawing
 1. CARLA mini
 2. CARLA
 3. CARLA maxi
4. Technical information

1. Model overview


CARLA Family

Volume Up to: 0,7 m²


65 x 100cm
Suitable for:
E.g.:
Watertanks




CARLA mini




Electric



- Hub motor




- 720 Wh Battery




- HP Controller

Volume Up to: 1,5 m²


65 x 160cm
Suitable for:
Euroboxes




CARLA



eCARLA




eCARLA OR




Volume Up to: 2,2 m²


85 x 160cm
Suitable for:
Pallets




CARLA maxi



eCARLA maxi



Offroad



- Offroadtires
- Heavy duty spokes

1.1 Dimensions and weight of the MODELS

| | | CARLA mini | CARLA | CARLA maxi | eCARLA | eCARLA OR | eCARLA maxi |
|-------------------------|-----------------------------------|------------|-----------|------------|-----------|-----------|-------------|
| Length | Without drawbar | 1650 | 2300 | 2300 | 2300 | 2300 | 2300 |
| | With drawbar | 2320 | 3000 | 3000 | 3000 | 3000 | 3000 |
| | Drawbar turned in, minimum length | 1450 | 2100 | 2100 | 2100 | 2100 | 2100 |
| Width | At the rear wheel suspension | 952 | 952 | 1150 | 952 | 952 | 1150 |
| Height | Unladen at the drawbar | ca. 795* | ca. 795* | ca. 795* | ca. 795* | ca. 795* | ca. 795* |
| Ground clearance | | ca. 150 * | ca. 150 * | ca. 150 * | ca. 150 * | ca. 150 * | ca. 150 * |
| Unladen weight | Without floor plate & battery | 26 Kg | 37 Kg | 42 Kg | 46 Kg | 46 Kg | 51 Kg |
| Position axles | Measured from the rear | 380 | 650 | 650 | 650 | 650 | 650 |
| Turning circle | Cargo trailer | 2100 | 2100 | 2100 | 2100 | 2100 | 2100 |

All dimensions in mm or KG if not otherwise specified

* Depending on load and tire pressure.

1.2 Dimensions and weight of the PLATFORMS

| | | CARLA mini | CARLA | CARLA maxi | eCARLA | eCARLA OR | eCARLA maxi |
|------------------|----------------------------|------------|--------|------------|--------|-----------|-------------|
| Length | Loading area | 1000 | 1670 | 1650 | 1650 | 1650 | 1650 |
| | | | | | | | |
| Width | Loading area | 650 | 650 | 850 | 650 | 650 | 850 |
| | | | | | | | |
| Height | Platform surface <-> floor | 170* | 170* | 170* | 170* | 170* | 170* |
| | Of the side rail | 145 | 145 | 145 | 145 | 145 | 145 |
| | Mudguards <-> platform | 360 | 360 | 360 | 360 | 360 | 360 |
| Weight | Standard baseplate CNC | 3,0 Kg | 6,8 Kg | 17,8 Kg | 6,8 Kg | 6,8 Kg | 17,8 Kg |
| Thickness | Standard baseplate CNC | 9 | 9 | 18 | 9 | 9 | 18 |

1.3 Dimensions and weight of LOADINGS

| | | CARLA mini | CARLA | CARLA maxi | eCARLA | eCARLA OR | eCARLA maxi |
|--|---------------|--------------------|--------------------|--------------------|--------------------|--------------------|--------------------|
| Gross vehicle weight | | 250 Kg | 250 Kg | 275 Kg | 250 Kg | 250 Kg | 275 Kg |
| Weights | Trailer | 26 Kg | 37 Kg | 42 Kg | 46 Kg | 46 Kg | 51 Kg |
| | Base plate | 3,0 Kg | 6,8 Kg | 17,8 Kg | 6,8 Kg | 6,8 Kg | 17,8 Kg |
| | Battery | | | | 6,4 Kg | 6,4 Kg | 6,4 Kg |
| Payload including baseplate/battery | | 221 Kg | 206 Kg | 215 Kg | 191 Kg | 191 Kg | 200 Kg |
| Max. loading volume | | 0,7 m ³ | 1,5 m ³ | 2,2 m ³ | 1,5 m ³ | 1,5 m ³ | 2,2 m ³ |
| Loading height | From ground | 1200 | 1600 | 1800 | 1600 | 1600 | 1800 |
| | From platform | 1000* | 1400* | 1600* | 1400* | 1400* | 1600* |

1.4 LIGHTING and REFLECTORS

| | | CARLA mini | CARLA | CARLA maxi | eCARLA | eCARLA OR | eCARLA maxi |
|------------------------|---|------------|-------|------------|--------|-----------|-------------|
| Lighting system | SON hub dynamo / 2 x SON rear lights AC | | ● | ● | | | |
| | Shimano hub dynamo / 2 x B&M rear lights | ● | | | | | |
| | 2 x ILU / SON rear lights DC | | | | ● | ● | ● |
| Reflectors | 2 x rear & 2 x front & on the side of the tires | ● | ● | ● | ● | ● | ● |

All dimensions in mm or KG if not otherwise specified

* Depending on load and tire pressure.




1.5 MATERIAL and ATTACHED PARTS

| | | CARLA mini | CARLA | CARLA maxi | eCARLA | eCARLA OR | eCARLA maxi |
|---------------------------|---|------------|----------|------------|----------|-----------|-------------|
| Frame | Tubular steel frame, in-house construction | ● | ● | ● | ● | ● | ● |
| Frame color | Deep black RAL 9005 | ● | ● | ● | ● | ● | ● |
| | Sunny yellow RAL1037 | | ● | | ● | ● | |
| | White RAL -9003 | | ● | | ● | ● | |
| | Custom colors available on request | ● | ● | ● | ● | ● | ● |
| Fork | Tubular steel In-house construction | ● | ● | ● | ● | ● | ● |
| Overrun brake | With brake booster In-house construction | ● | ● | ● | ● | ● | ● |
| Brakes rear wheels | Hydraulic: Magura (BIG Twin) 2,0 mm | | ● | ● | ● | ● | ● |
| | Mechanical Jagwire: 1,8 mm | ● | | | | | |
| Brake front wheel | Mechanical rim brake, parking function | ● | ● | ● | ● | ● | ● |
| Tire rims | 20 inch hollow section rims | ● | ● | ● | ● | ● | ● |
| | SON heavy duty rims on the rear wheel | optional | optional | ● | optional | ● | ● |
| Tires, tubes | Schwalbe Pick UP / BigBen | ● | ● | ● | ● | | ● |
| | Schwalbe BigBetty | | | | | ● | |
| Tow bar | Steel tube, self-construction | ● | ● | ● | ● | ● | ● |
| Clutch | Standard: Haerry hitch, short version | ● | ● | ● | ● | ● | ● |
| Safety flag | Rod 145cm / Pennant with logo | ● | ● | ● | ● | ● | ● |

All dimensions in mm or KG if not otherwise specified

* Depending on load and tire pressure.

1.6 PRODUCT PHOTOS

| | | |
|--|--|--|
|  |  |  |
| <ul style="list-style-type: none">• Handle of the handcart• Parking brake on the handcart• Counterpart of the clutch• Electronic connections* (pedal sensor, throttle handle) | <ul style="list-style-type: none">• Rim brake• Drawbar• Overrun brakes• Battery holder* (standard model)• Electric engine* | <ul style="list-style-type: none">• Rear wheels suspension• Disk brakes of the overrun brake• Back lights and reflectors• Mudguards |

* Pictures show an eCARLA

2. Electric version

The electric models eCARLA, eCARLA OR and eCARLA maxi are delivered without battery and charger as standard.

| 2.1 GENERAL PARAMETERS | | |
|------------------------|--|----------------------------------|
| Operating modes | Bicycle | Support up to 25 km/h |
| | Handcart | Support up to 6 km/h |
| Pedal sensor | Pedal sensor at the bottom bracket. Depending on the bottom bracket there are different versions, we are happy to advise you. | |
| throttle handle | At the Trailer | Handcart up to 6 km/h |
| | At the bicycle | Starting assistance up to 6 km/h |
| | | Additional boost up to 25km /h |

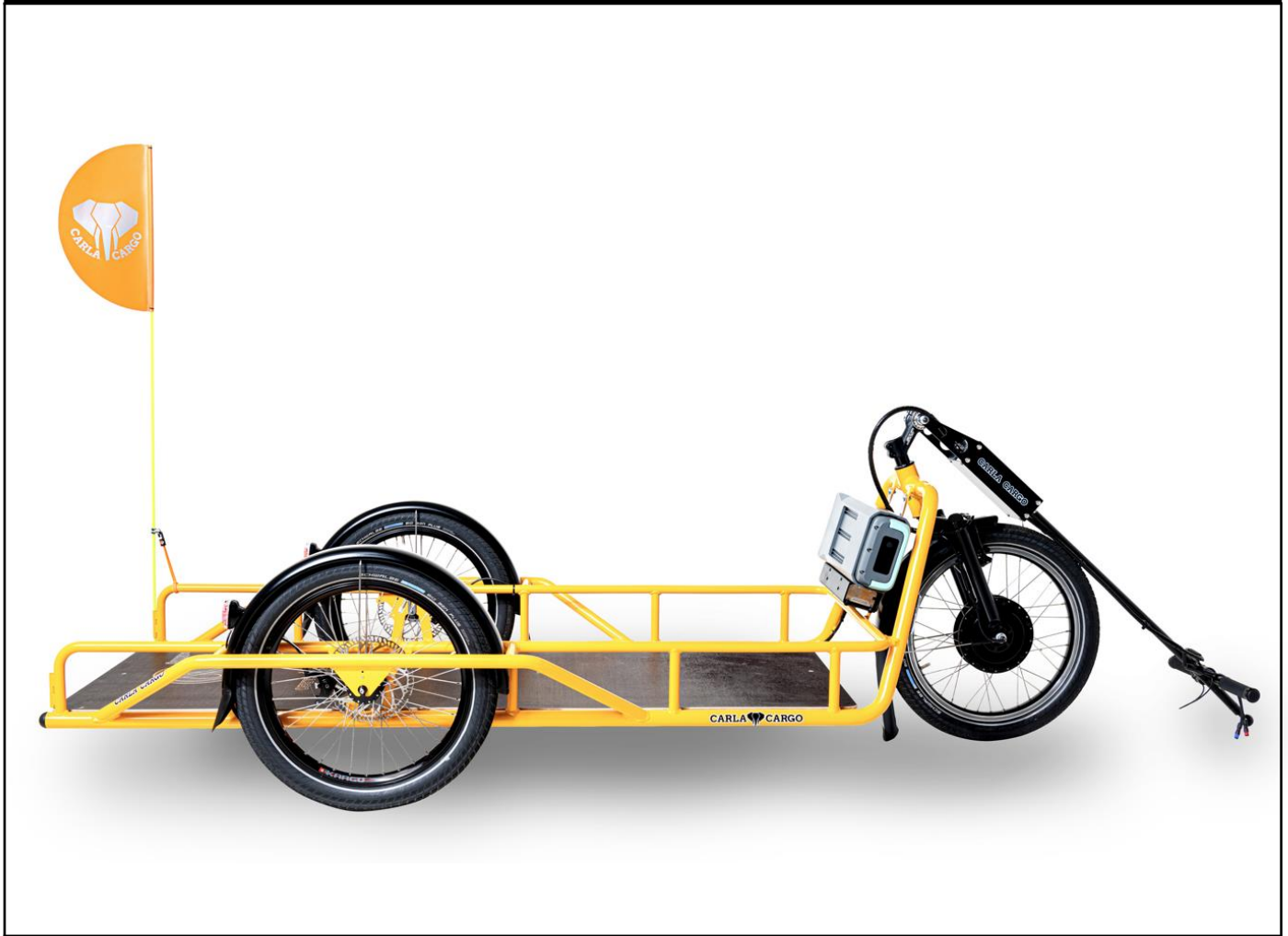


AES-Version (720 Wh)



AES-Battery and charger

2.2 eCARLA AES (48V)

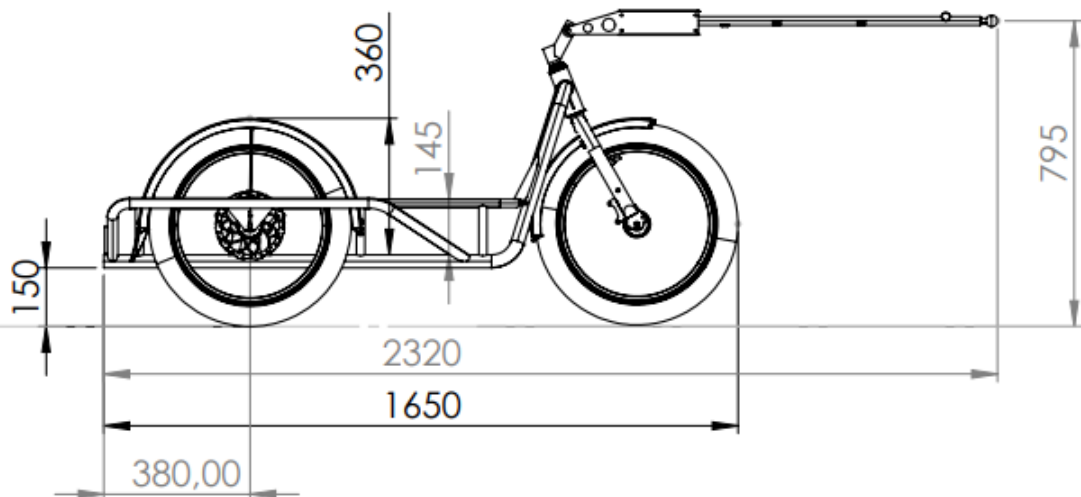
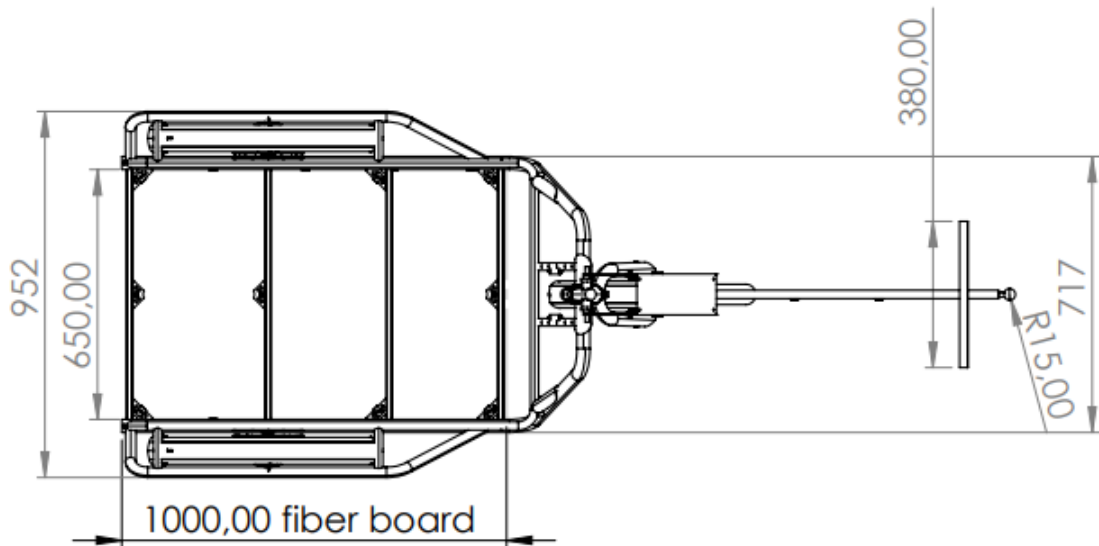


| | | |
|-----------------|--|-------------------------|
| Drive unit | Engine | Bafang G070.500.D13 |
| | Peak performance nominal | 750 W |
| | Nominal performance (according DIN EN 15194) | 250 W |
| | Torque | 45 Nm |
| Battery | Model | AES eBike Akku 2.0 |
| | Capacity | 720 Wh |
| | Range | 40 - 50 km ₂ |
| | Charging time | ca. 4 h |
| | Weight | 5,9 kg |
| | Exchangeable | yes |
| | Cell type | LiFePo4 |
| | Lockable | yes |
| Battery charger | | IN: 100-240V: 50Hz~60Hz |

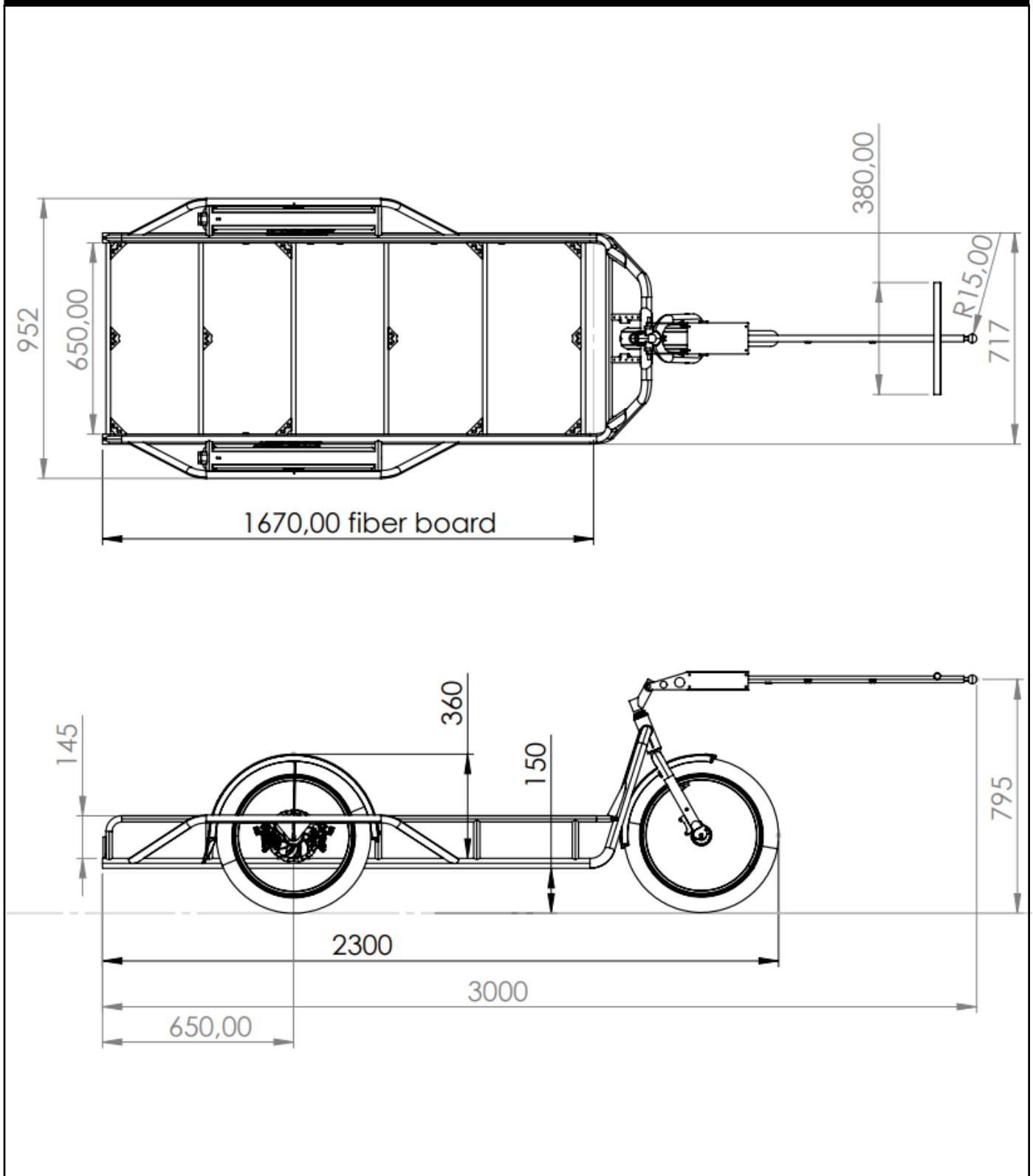
2 Data without guarantee, highly dependent on load and gradient.

3. TECHNICAL DRAWING

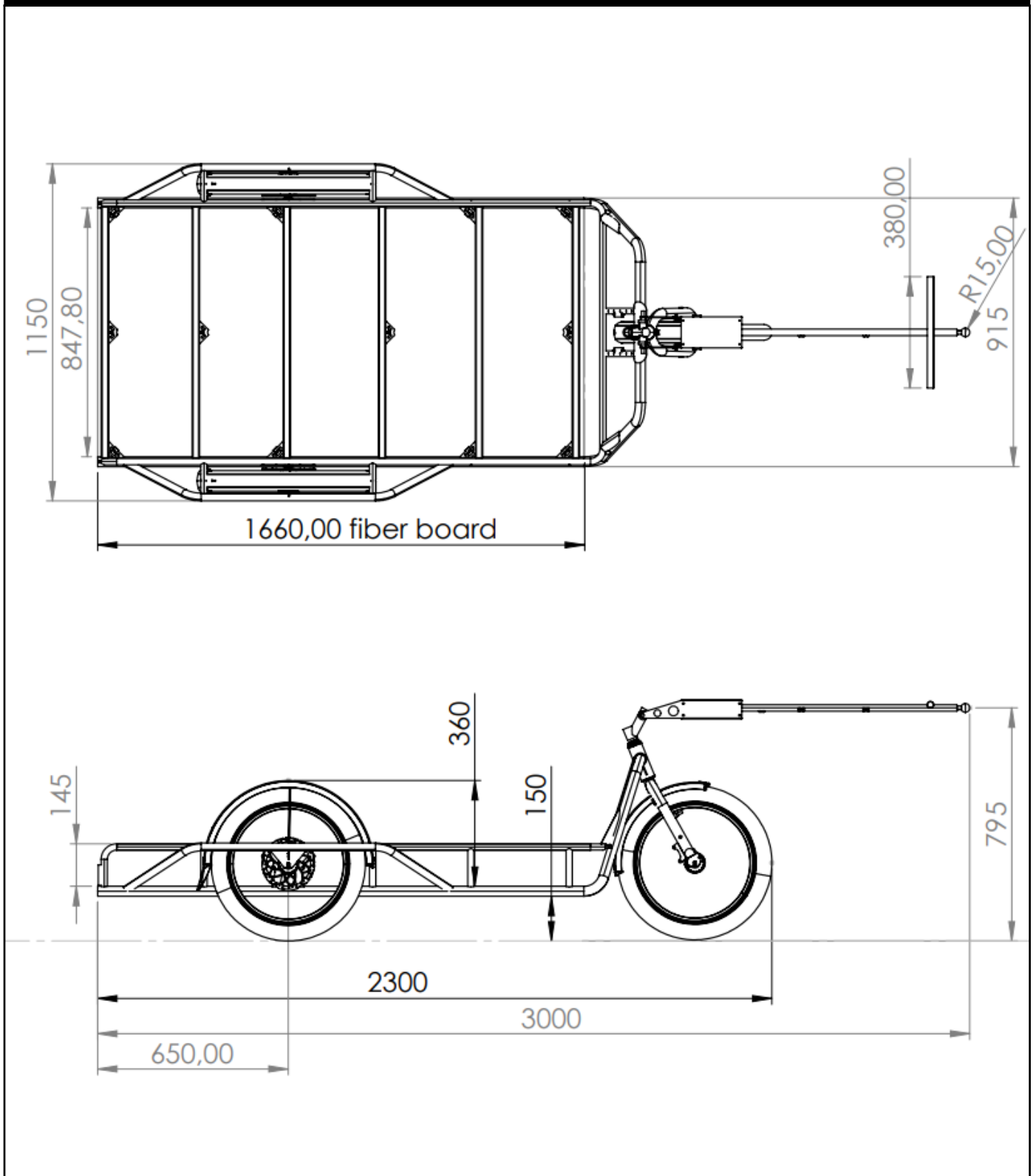
3.1 Technical drawing CARLA mini



3.2 Technical drawing CARLA



3.3 Technical drawing CARLA maxi



4. TECHNICAL INFORMATION

- Subject to technical changes.
- Colors and attachments may differ from photos and descriptions.
- Approved as bicycle trailer according to German law (StVZO).
- 2 years warranty on frame and attachments (except wear parts).
- 1 year warranty on the 48V batteries.
- In combination with a bicycle approved as pedelec according to the European standard DIN EN 15194, if applicable.

Construction according to:

- Machinery Directive: 2006/42/EG
 - EMC Directive: 2014/30/EU
 - Low Voltage Directive: 2014/35/EU
-
- Latest update: 08.09.2024

| Description | Model year |
|---------------------|------------|
| CARLA mini | From 2024 |
| CARLA | From 2024 |
| CARLA maxi | From 2024 |
| eCARLA | From 2024 |
| eCARLA maxi | From 2024 |
| eCARLA Offroad (OR) | From 2024 |
| CARLA mini | From 2024 |